

Product data sheet – T-profile

Product data sheet

T-profile for hidden aluminium connections

Eurotec's **T-profile** is a hidden aluminium wood connector for use both indoors and outdoors. Suitable in terms of geometry for right-angled and inclined connections of individual beams in wood / wood and wood / concrete applications. Can be combined with our rod dowel, which is screwed in through the T-profile as part of a self-drilling process.



Material

High-quality aluminium

- Suitable for service classes 1 and 2 according to DIN EN 1995 – Eurocode 5
- Available in a length of 2.00 m
- Measurement scale for individual profile cutting on the construction site

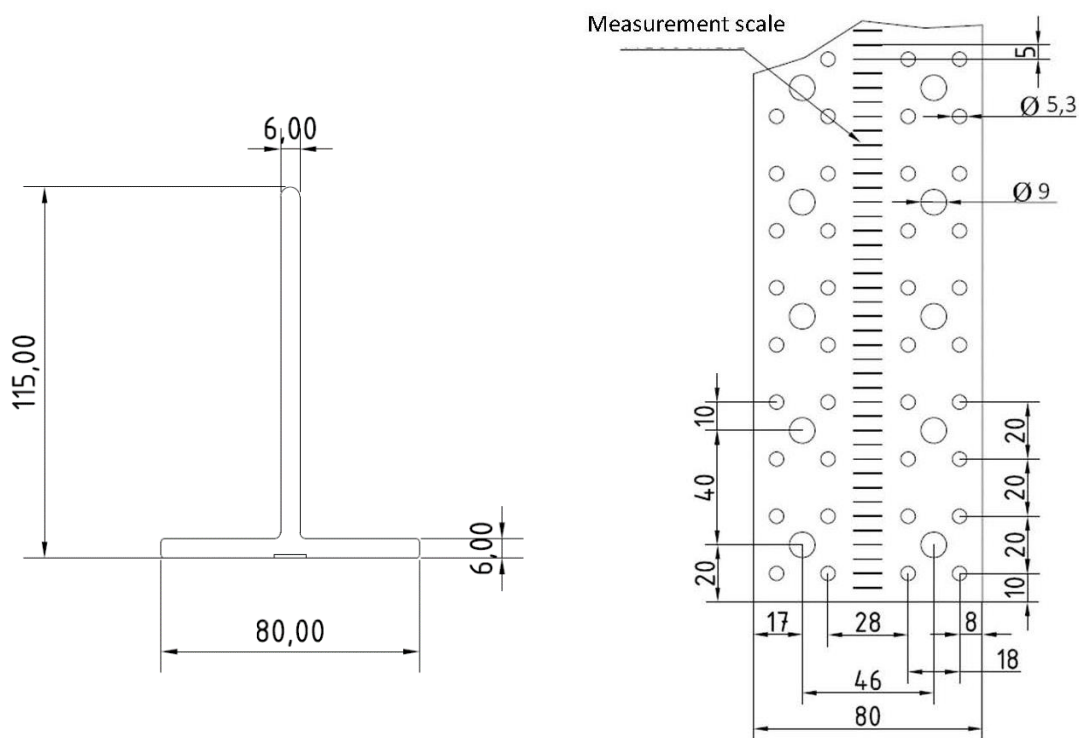
T-profile				
Art. no.	Dimensions W x H x L [mm]	Thickness [mm]	Material	PU [unit]
975652	80 x 115 x 2000	6	Aluminium	1

Instructions for use

1. No need for pre-drilling with the self-drilling EST rod dowel (\varnothing 7.5)
2. Hole pattern for the 5.0 x 50 mm angle-bracket screw
3. Rock concrete screw (\varnothing 7.5) for the wood / concrete joint

Product data sheet – T-profile

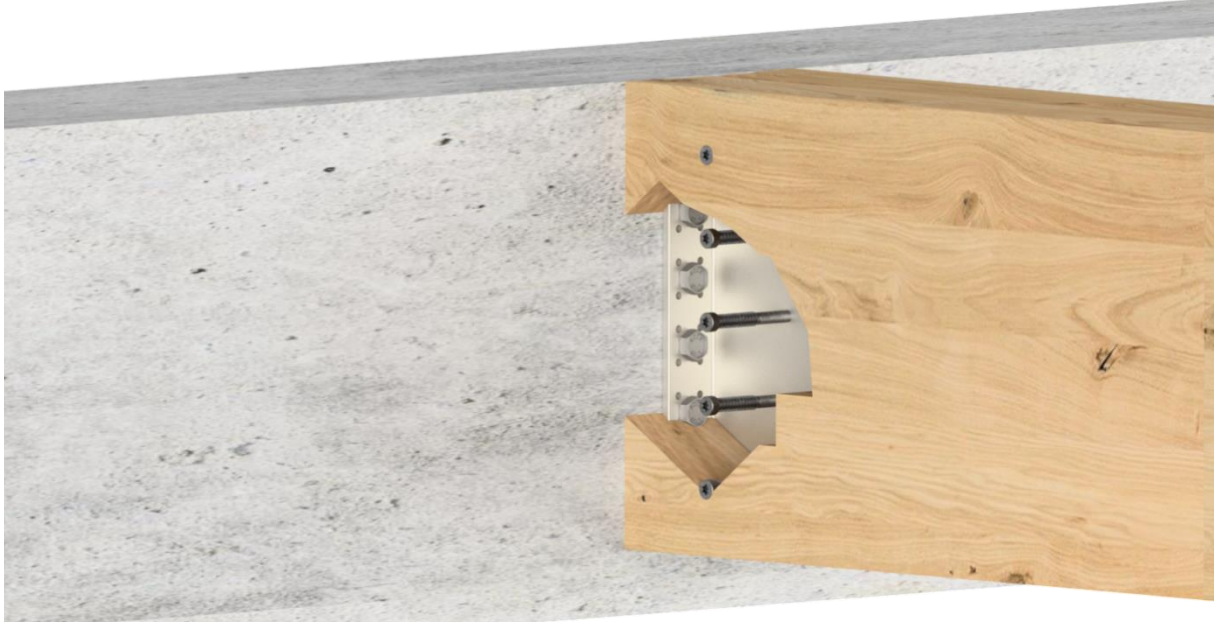
Technical drawing [mm]



Sample applications



Product data sheet – T-profile



If you are not familiar with the use of this product, and in particular with its intended use, please contact our Application Technology department.