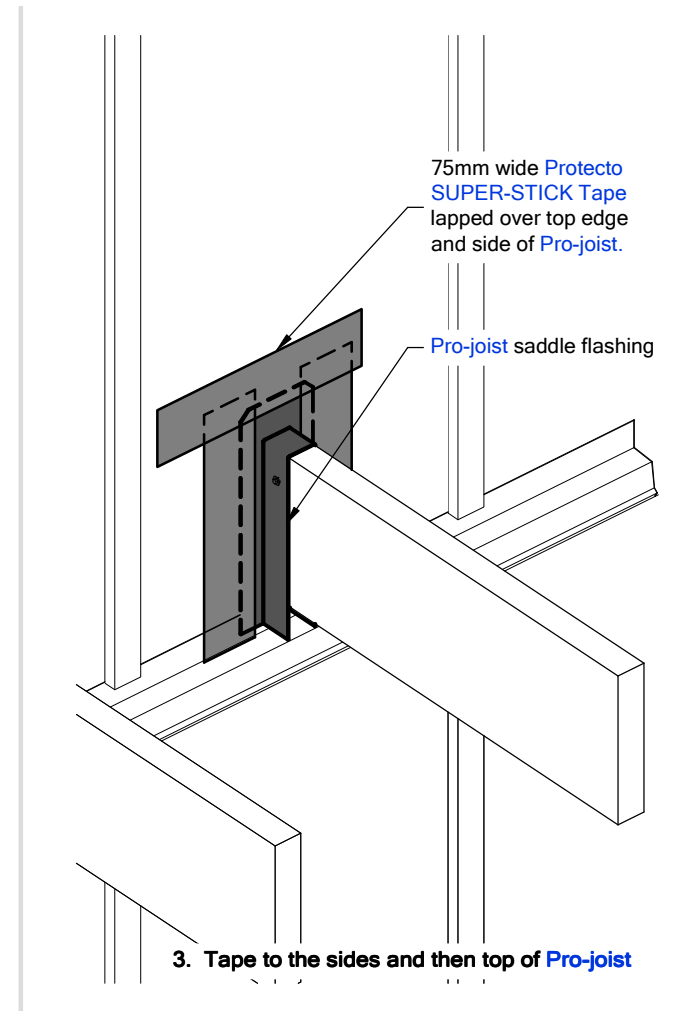
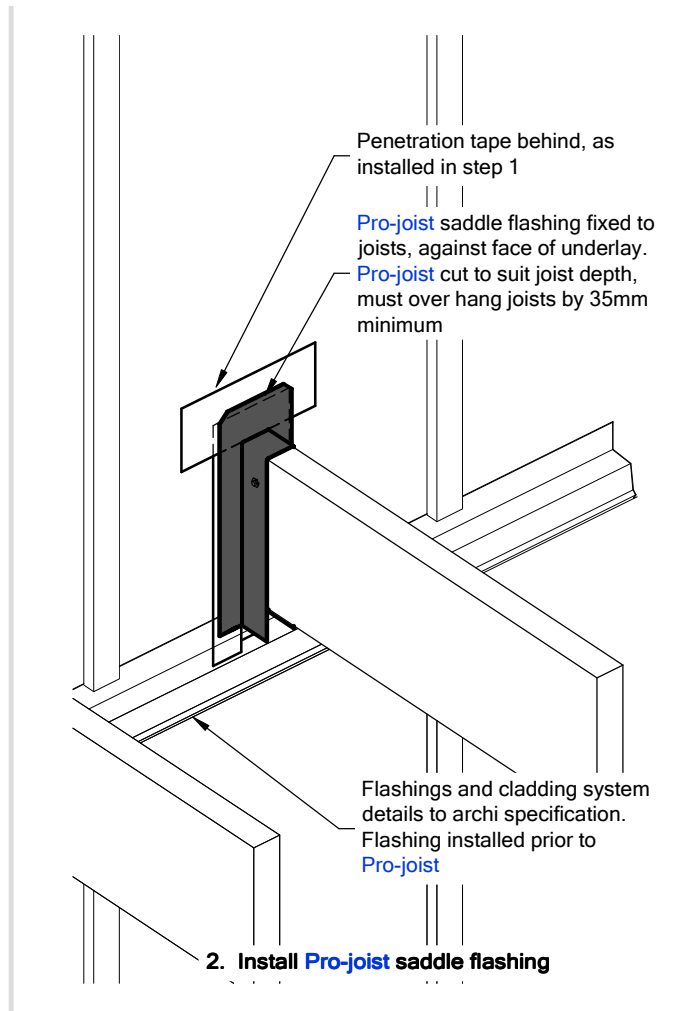
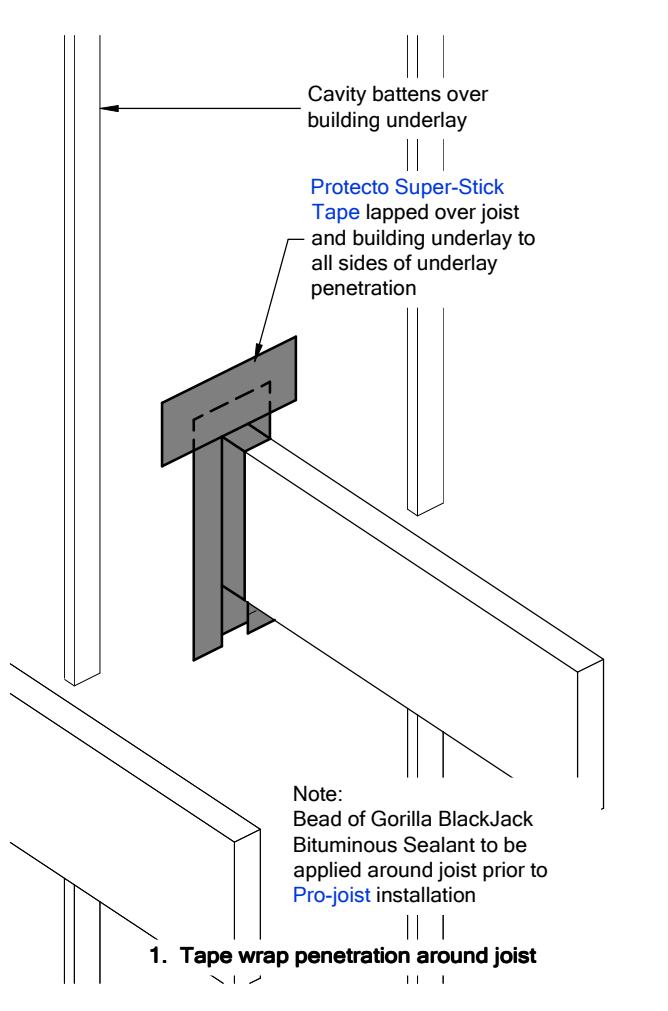


**NOTES:**

1. Always refer to the Appraisal in full and the technical literature.
2. Pro-Joist available to suit 45mm wide joists and 90mm wide (OR 2 / 45mm) beams up to 250mm deep
3. Pro-Joist height cut to suit joist depth, must over hang joists by 35mm minimum



**Marshall**  
Innovations  
Construction Solutions

41 Hotuhotu Street  
The Lakes, Tauriko  
Tauranga  
PO Box 9411  
Greerton, Tauranga  
Phone: 07 543 0948  
Fax: (07) 541 1029  
Email: headoffice@mwz.com  
Free Phone 0800 776 9727

Pro-Joist

System Type: Pro-Joist Saddle Flashing System		Drawing No. <b>PJ-201</b>		Revision: <b>B</b>	
Scale: 1:10	Date: Sept 2022				