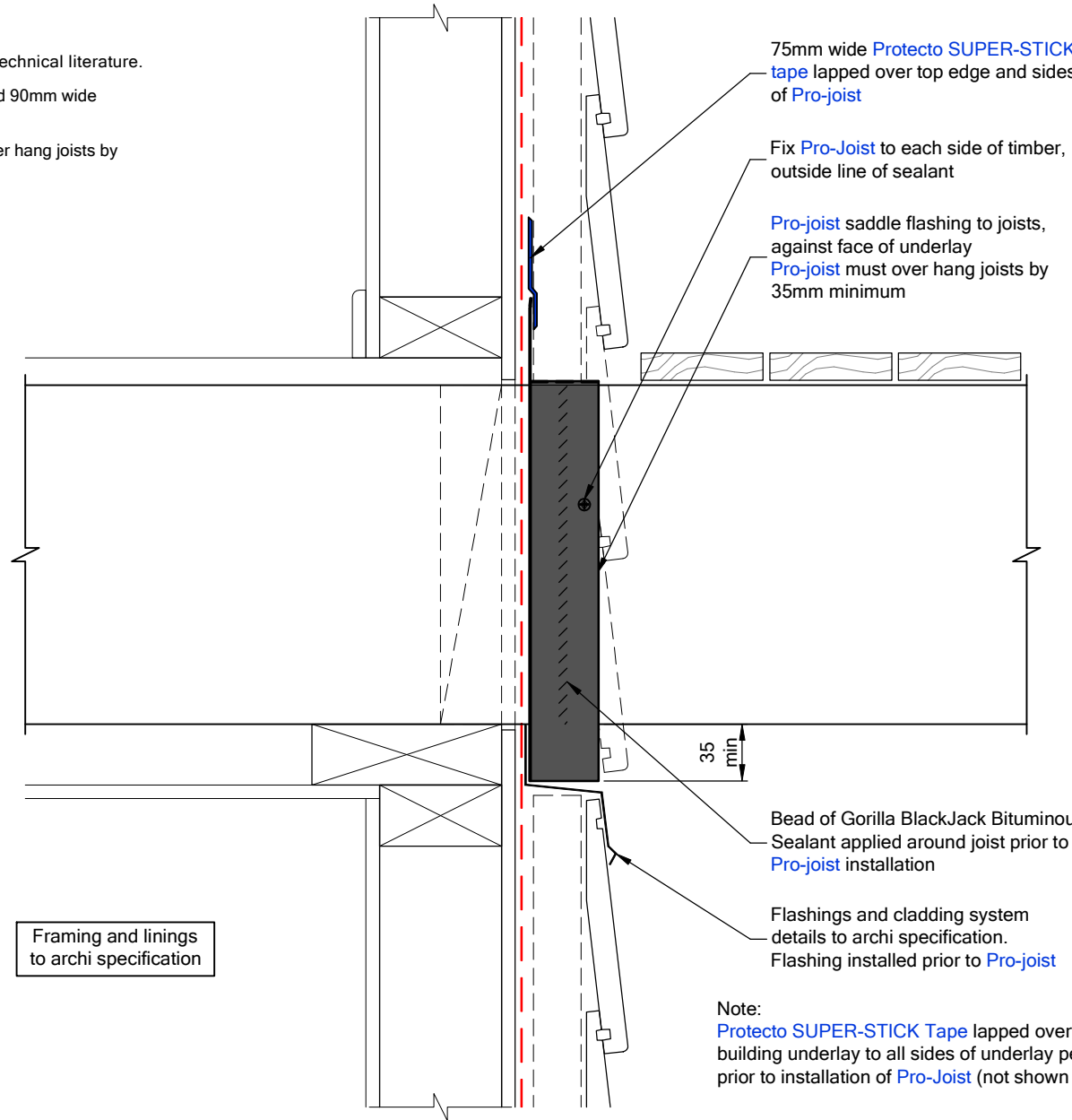


NOTES:

1. Always refer to the Appraisal in full and the technical literature.
2. Pro-Joist available to suit 45mm wide joists and 90mm wide (OR 2 / 45mm) beams up to 250mm deep
3. Pro-Joist height cut to suit joist depth, must over hang joists by 35mm minimum



Marshall
Innovations
Construction Solutions

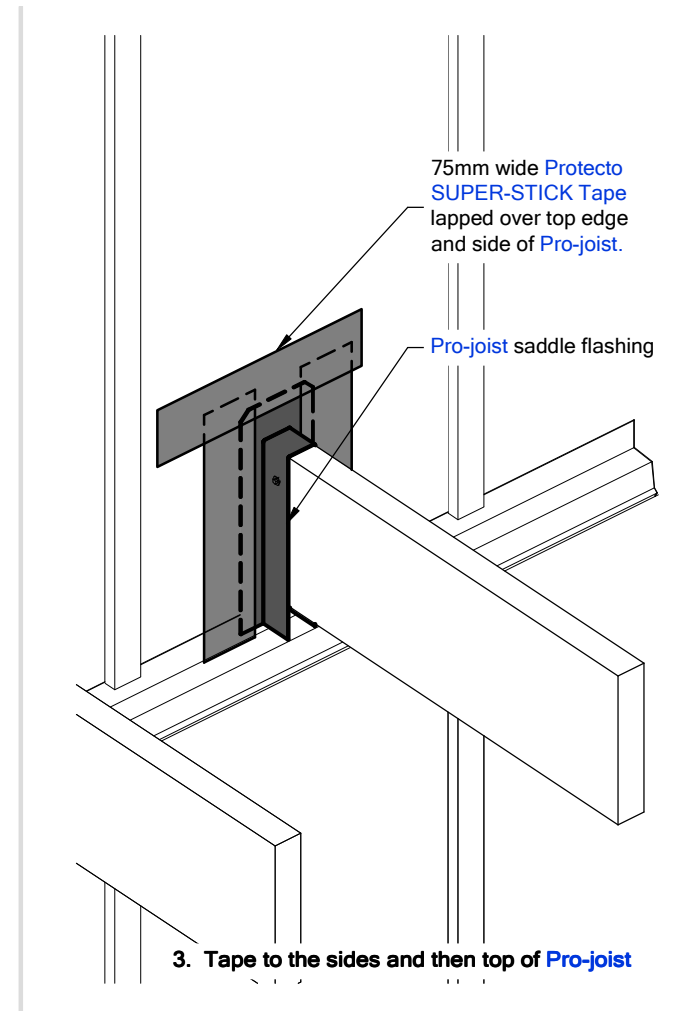
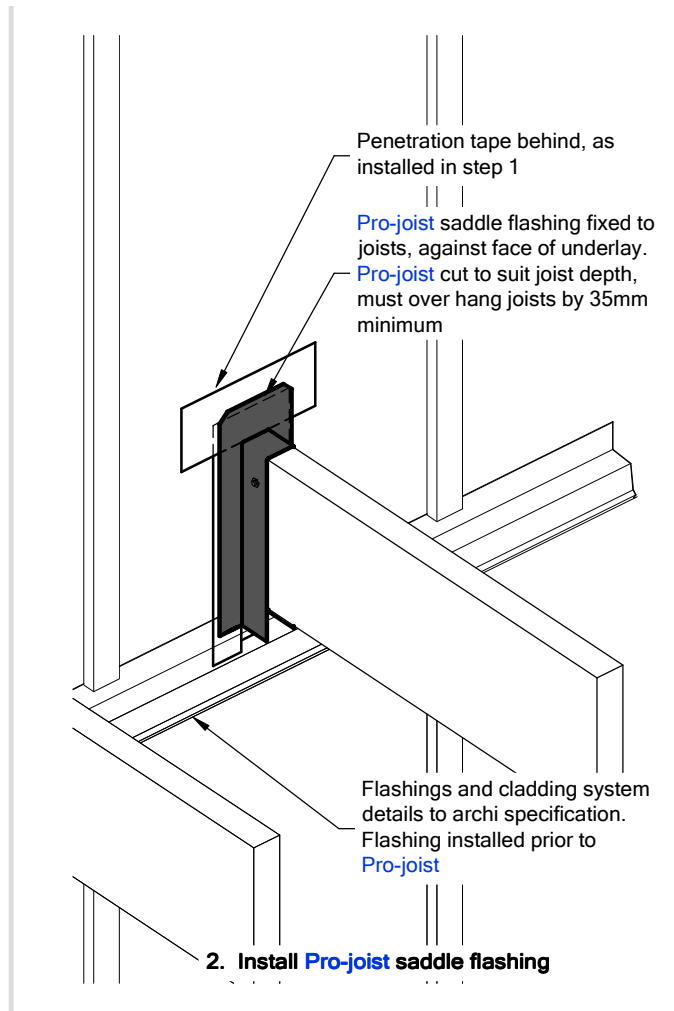
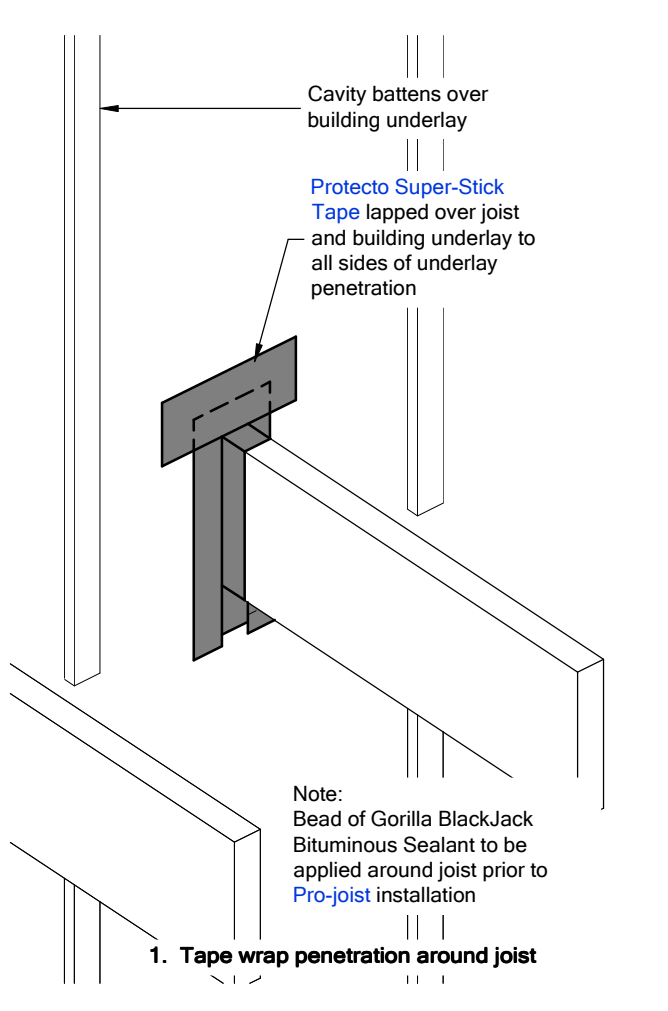
41 Hotuhotu Street
The Lakes, Tauriko
Tauranga
PO Box 9411
Greerton, Tauranga
Phone: 07 543 0948
Fax: (07) 541 1029
Email: headoffice@mmnz.com
Free Phone 0800 776 9727

Pro-Joist

System Type:		Pro-Joist Saddle Flashing System	
		<i>Pro-Joist Detail</i>	
Scale:	1:5	Drawing No.	
Date:	Sept 2022		
		PJ-101	B

NOTES:

1. Always refer to the Appraisal in full and the technical literature.
2. Pro-Joist available to suit 45mm wide joists and 90mm wide (OR 2 / 45mm) beams up to 250mm deep
3. Pro-Joist height cut to suit joist depth, must over hang joists by 35mm minimum



Marshall
Innovations
Construction Solutions

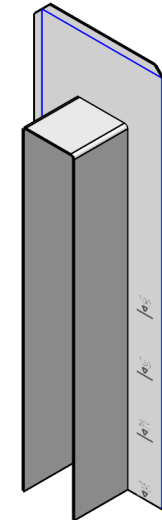
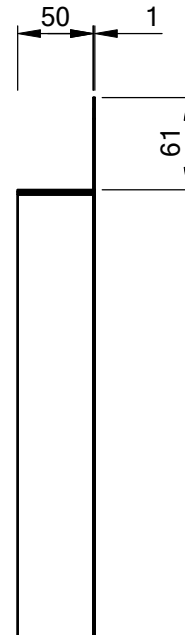
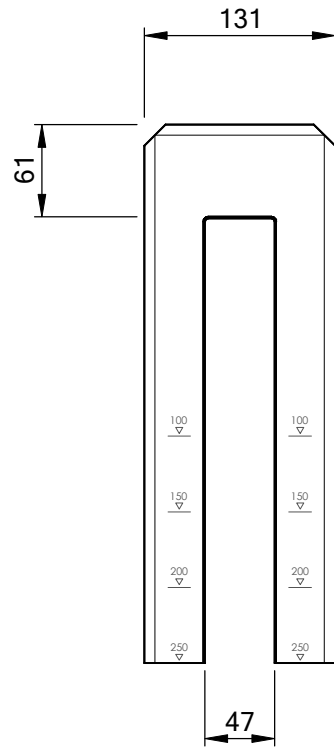
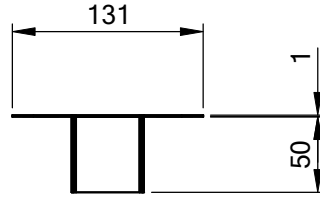
41 Hotuhotu Street
The Lakes, Tauriko
Tauranga
PO Box 9411
Greerton, Tauranga
Phone: 07 543 0948
Fax: (07) 541 1029
Email: headoffice@mwz.com
Free Phone 0800 776 9727

Pro-Joist

System Type: Pro-Joist Saddle Flashing System		Drawing No. PJ-201		Revision: B
Scale: 1:10	Date: Sept 2022			

NOTES:

1. Always refer to the Appraisal in full and the technical literature.
2. Pro-Joist available to suit 45mm wide joists and 90mm wide (OR 2 / 45mm) beams up to 250mm deep
3. Pro-Joist height cut to suit joist depth, must over hang joists by 35mm minimum



Pro-Joist

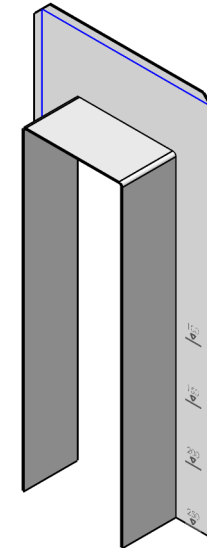
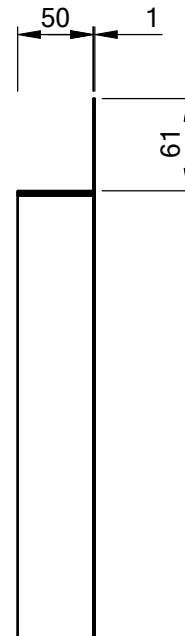
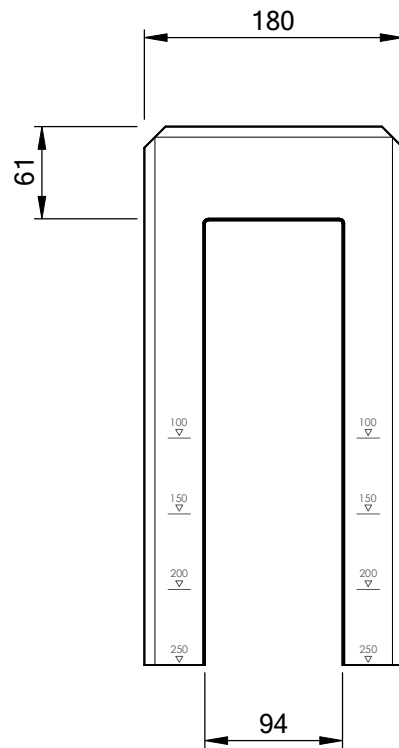
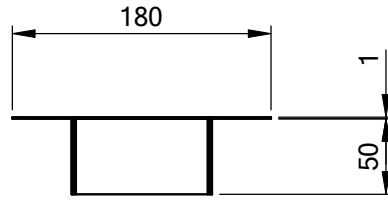


41 Hotuhotu Street
The Lakes, Tauriko
Tauranga
PO Box 9411
Greerton, Tauranga
Phone: 07 543 0948
Fax: (07) 541 1029
Email: headoffice@mwz.com
Free Phone 0800 776 9727

System Type: Pro-Joist Saddle Flashing System <i>Pro-Joist - 47mm Component</i>		Revision:
Scale: 1:5	Drawing No.	PJ-301 B
Date: Sept 2022		

NOTES:

1. Always refer to the Appraisal in full and the technical literature.
2. Pro-Joist available to suit 45mm wide joists and 90mm wide (OR 2 / 45mm) beams up to 250mm deep
3. Pro-Joist height cut to suit joist depth, must over hang joists by 35mm minimum



Pro-Joist



41 Hotuhotu Street
The Lakes, Tauriko
Tauranga
PO Box 9411
Greerton, Tauranga
Phone: 07 543 0948
Fax: (07) 541 1029
Email: headoffice@mwz.com
Free Phone 0800 776 9727

System Type: Pro-Joist Saddle Flashing System <i>Pro-Joist - 94mm Component</i>		Revision:
Scale: 1:5	Drawing No. PJ-302	B
Date: Sept 2022		